

Thermal cut-out thermostat TK24/TK32/TK24HT

Automatic or manual reset



design examples

Applications



- Domestic appliances
- Coffee machines
- Heaters and heating Elements
- Antifreeze
- Diesel preheating (automobile)

Benefits

- Ceramic housing available for high temperatures
- Low tolerances up to $\pm 3K$
- Various attachments
- Low hysteresis up to 10K

Switches of this series are extremely robust with universal characteristics: they can be used as temperature monitors and controllers, current-capable up to 16A, specifically adjustable hysteresis, and low tolerance up to 3%. The plastic housing, the floor and the fastening are tension-free. The heat is applied directly to the thermo-bimetal snap-disc via the contact surface (bottom), and thus allows a very rapid reaction. The connections vary in dimensions and mounting angles (0 - 90°). Types TK24 and TK24HT are automatically resetting, whereas type TK32 is a manual-resetting switch.

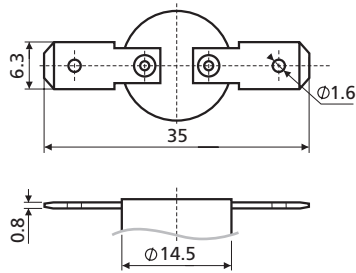
Technical data

ratings		type			
		TK24	TK24HT	TK32	
function		automatic		manual reset	
version		normally closed (n.c.) / normally open (n.o.)		normally closed (n.c.)	
ratings	rated current 250V AC (cos φ 0,95)	16 A	10 A	10 A	16 A
	switching cycles	30.000	100.000	10.000	3.000
	temperature T _A (steps in 5 K)	min +10°C up to max. 150°C	min +10°C up to max. 175°C *	+200°C to max. +250°C *	+30°C up to max. +250°C *
tolerance		$\pm 1, \pm 3$		$\pm 3, \pm 6, \pm 10$	$\pm 3, \pm 6$
contact resistance, Ω , not more		0.05			
hysteresis / reset temperature		20 \pm 5		40 \pm 10	---
degree of protection of enclosure (EN 60529)		IP4X			
dielectric strength		AC 1.500 V/1min. or AC 1.800 V/1 sec.			
suitable for use in protection class		I, II			
certifications		VDE  UL 			

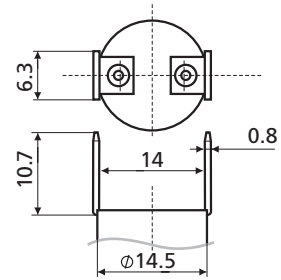
* other temperatures on request

Terminals

T01

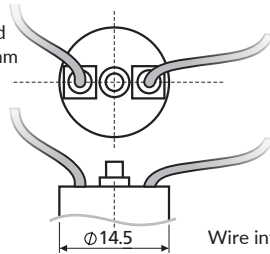


T02



T13

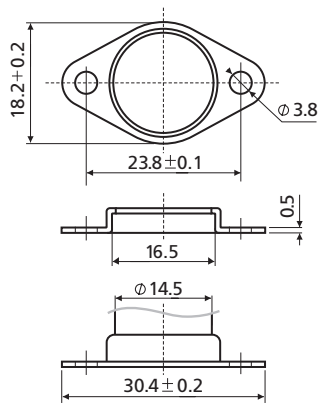
Wire standard length: 150 mm



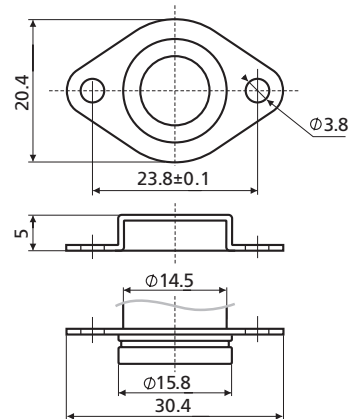
Wire information to be specified on the order form (type; cross-section; lengths; stripping)

Mounting

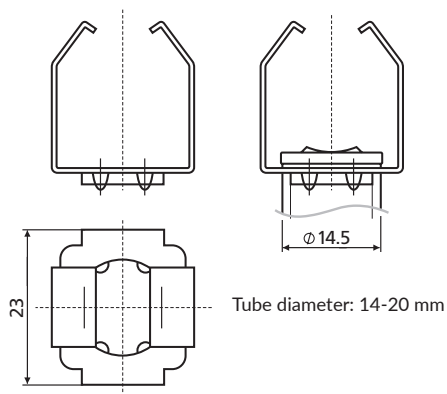
MG 01
ROTATION OR
FIXED CLIP



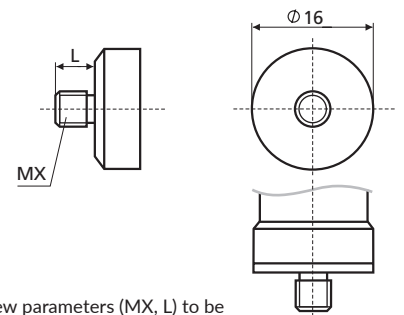
MG 02
CAP-FLANGE



MG 05
TUBE
MOUNTING

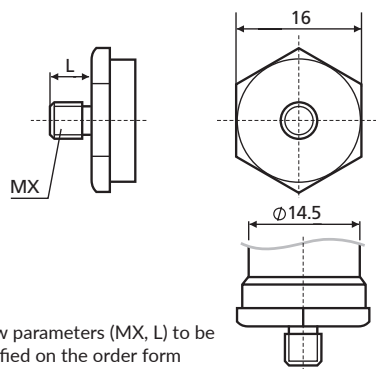


MG 06



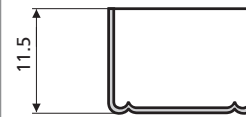
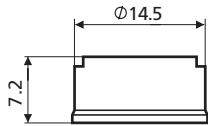
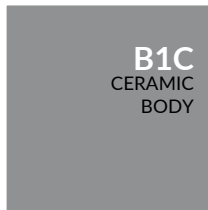
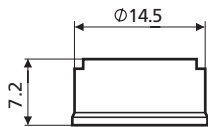
Screw parameters (MX, L) to be specified on the order form

MG 08
SCREW CAP
HEXAHEDRAL
16

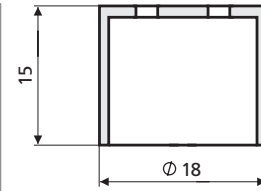


Screw parameters (MX, L) to be specified on the order form

Body and/or Case



Only with lead wires
Protection degree IP64



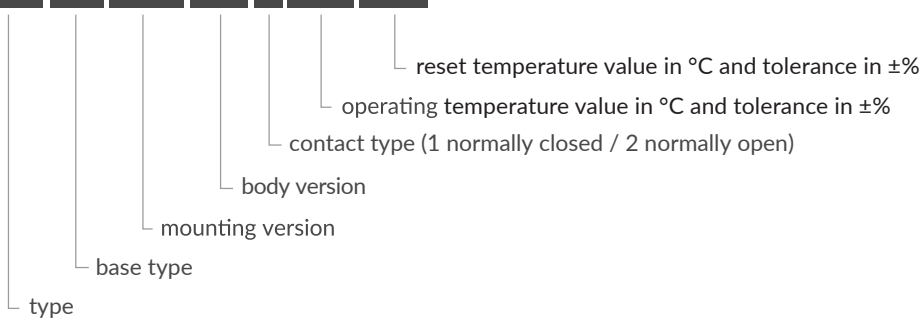
Only with
lead wires
and screw caps
Protection degree IP64

Table (Contact Type and Contact Transient Resistance Value)

Code	Contact Type	Contact Transient Resistance, Ohm
1	Normally closed (NC)	≤50
2	Normally open (NO)	≤50

Ordering example

TK24 T01 MG01 B1P 1 50±3 40±3



Microtherm Sentronic GmbH

Unterer Hardweg 9
75181 Pforzheim
Deutschland
Tel.: +49 7231 787-0
Fax: +49 7231 787-155
info@microtherm.de
www.microtherm.de/en



MICROTHERM
sentronic